

TYPE : RS11-AL-350P VER:A

Preheat Start Ballast
AC Source : 198~305V 50/60Hz

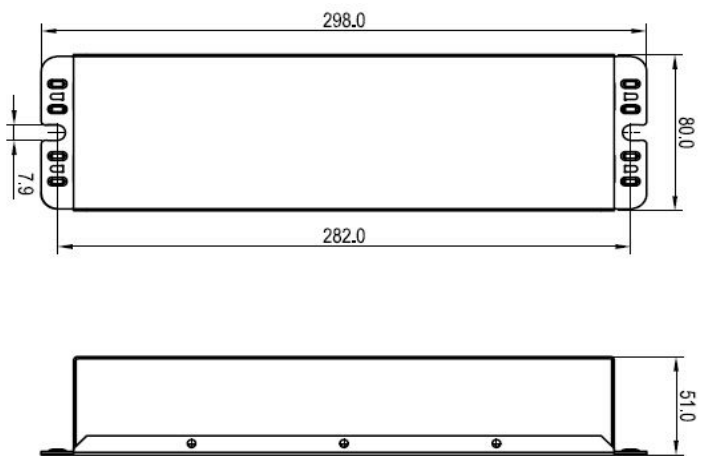
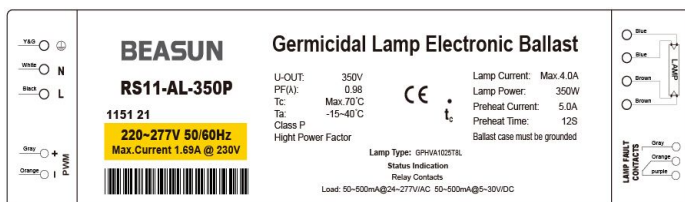
Power : 210~350W

Product Picture



Product Label (Label Can be Customized)

Product Dimensions



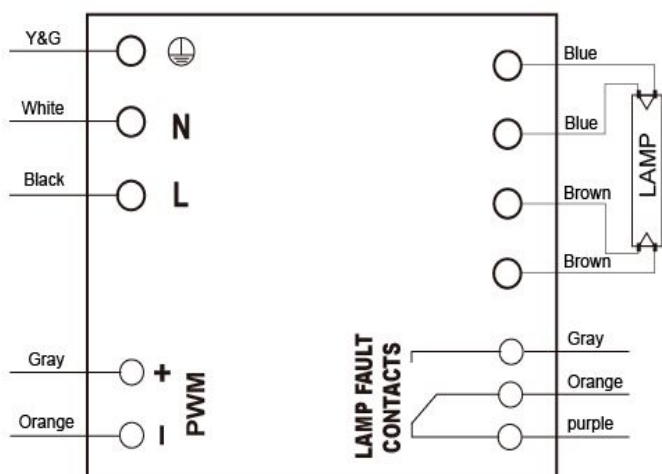
TYPE : RS11-AL-350P VER:A

Page : 2 OF 3

Preheat Start Ballast
AC Source : 198~305V 50/60Hz

Power : 210~350W

Wiring Diagram



Features & Functions

- Preheat Start
- Limiting Current and Power
- Lamp Open Protection
- Lamp Fault Protection
- PWM Dimming Interface
- Status Indication:
 - ▶ Lamp status forwarding:
potential free relay contacts for lamp on / lamp fault
4,5: on=Lamp on 5,6: on=Lamp fault

Electrical Specification

- Input Mains Voltage: 220~277V±10%
- Input Line Frequency: 47~63Hz
 - Input Current: Max.1.69A at 230Vrms
 - Input Power: Max.380W
 - Power Factor: 0.98 typ.
- Output Frequency: >35KHz
 - Crest Factor: <1.7
 - Current THD: <15% typ.
 - Preheat Time: 12S
 - Preheat Current: 5.0A
 - Output Current: Max.4.0A typ.
 - Output Power: Max.350W
 - Lamp Type: GPHVA1025T8L
 - Efficiency: 92% Max. load
- Power Dimming Range: 60~100% Power at D20~100%
- Relay Contacts: Load: 50~500mA@24~277V/AC
50~500mA@5~30V/DC
- Protections: Lamp Open / Fault
- Tc-temperature: Max. 70°C
- Ta-temperature: -15~40°C
 - Storage: -40~85°C
- Approvals: CE (LVD EMC)
- IP Code: IP65
- Dimensions: 298×80×51mm

Note

- ▶ When the Tc temperature is over 70°C, please add a heat-dissipation device.

TYPE : RS11-AL-350P VER:A

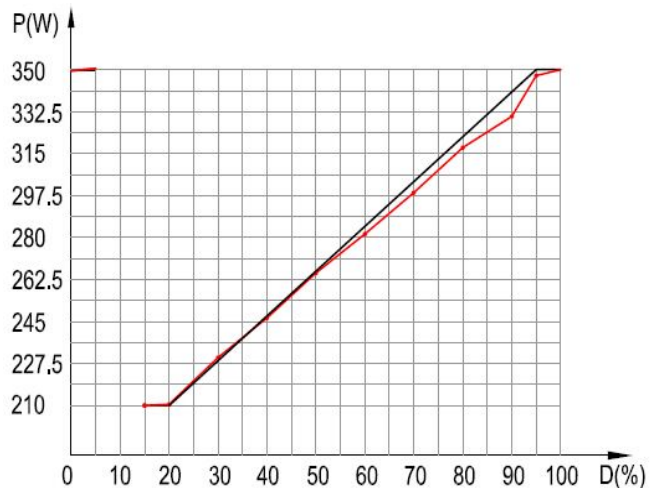
Page : 3 OF 3

Preheat Start Ballast
AC Source : 198~305V 50/60Hz

Power : 210~350W

Dimming Instructions

PWM Signal	Lamp Status
D<5 or >95%	Max. Power
D=5~10%	Lamp off
D>15%	Lamp on
D=20~95%	60~100% Power



Product Packing Information

Article No.	Type	Inner Box		Carton			Pallet		
		Size [mm]	Weight [kg]	Quantity [pcs]	Size [m³]	Weight [kg]	Quantity [pcs]	Size [m³]	Weight [kg]
8200115118	RS11-AL-240P	298*80*51	1.30	10	0.01	13.2	450	1.3	610
8200115119	RS11-AL-300P	298*80*51	1.30	10	0.01	13.2	450	1.3	610
8200115120	RS11-AL-320P	298*80*51	1.30	10	0.01	13.2	450	1.3	610
8200115121	RS11-AL-350P	298*80*51	1.30	10	0.01	13.2	450	1.3	610

Similar Product Ordering Information

Article No.	Type	Lamp Power	Lamp Type
8200115118	RS11-AL-240P	Max.240W	GPHA1554T6L TUV240W NNI200/107XL
8200115119	RS11-AL-300P	Max.300W	NNI300/147XL TUV325WXPTHO
8200115120	RS11-AL-320P	Max.320W	GPHHA1554T6L
8200115121	RS11-AL-350P	Max.350W	GPHVA1025T8L